

---

## LIST OF MINIRELAYS

---



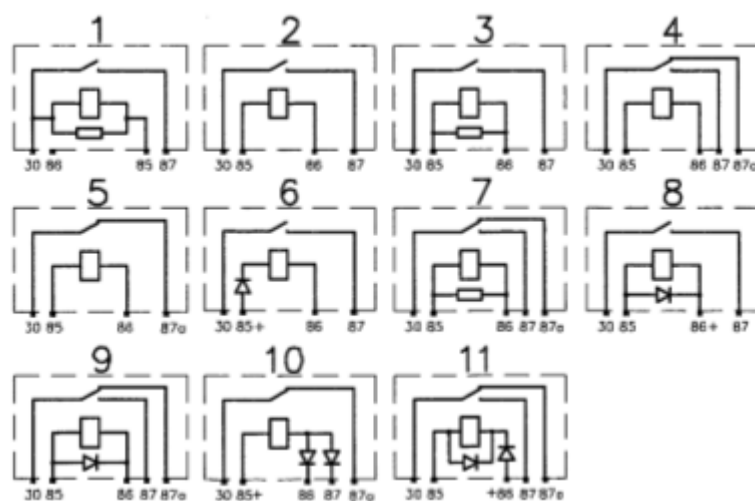
- MINIRELAY CLOSING
- MINIRELAY SEPARATING
- MINIRELAY CHANGE-OVER
- VOLTAGE OF MINIRELAY- 6V, 12V, 24V
- MAX.CURRENT 5-40A
- FIXED BY 5-POINT ISO CONNECTORS



---

## SCHEME

---



---

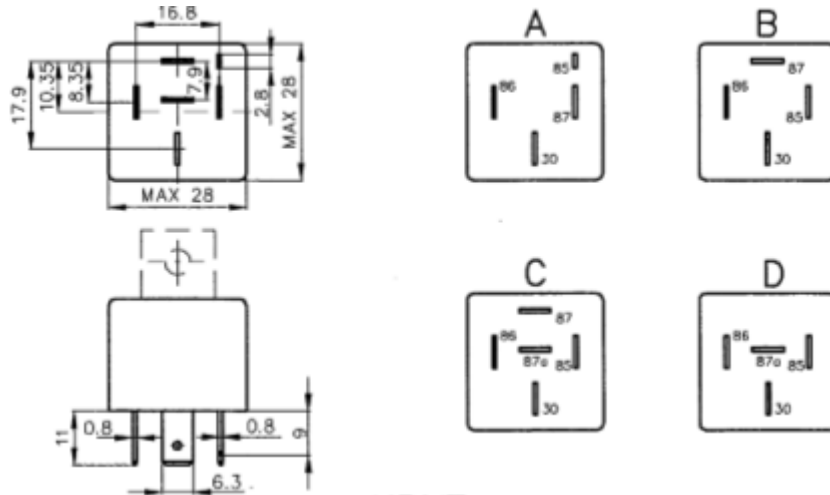
SPD Kroměříž a.s.  
Kaplanova 1852/1e  
767 01 Kroměříž

IČO: 25571877  
DIČ: CZ25571877

---

POSITION OF CONNECTORS

---



---

COVER

---



---

If you are interested in product please send our inquiry to e-mail: [spd@spd-km.cz](mailto:spd@spd-km.cz)

---

SPD Kroměříž a.s.  
Kaplanova 1852/1e  
767 01 Kroměříž

IČO: 25571877  
DIČ: CZ25571877

Company is registered in the Commercial Register kept by the Regional Court in Brno, file no.B 3047.

## SPD Kroměříž, a.s.

ITEM NO.	DRW.NO.	TYPE	connect. diagram	position of connector	type of cover	voltage	contact current class	making capacity	holder	diode	resistor
9R45110	9445110	closing	1 switch	C	I	12V	30A	-	W/O		WITH
9R45111	9445111	closing	3 switches	B	I	12V	30A	250 W	W/O		WITH
9R45115	9445115	closing	8 switches	B	II	12V	30A	250 W	WITH	YES	
9R45116	9445116	change-over	9 switches	C	I	12V	20/30A	-	W/O	YES	
9R45117	9445117	closing	8 switches	B	I	12V	30A	-	W/O	YES	
9R45118	9445118	closing	3 switches	B	II	12V	30A	250 W			
9R45130	9445130	closing	2 switches	B	II	12V	30A	250 W	WITH		
9R45131	9445131	closing	2 switches	B	I	12V	30A	-			
9R45140	9445140	change-over	4 switches	C	I	12V	20/30A	155/325 W			
9R45141	9445141	change-over	4 switches	C	II	12V	20/30A	155/325 W	WITH		
9R45142	9445142	breaking	5 expanders	D	II	12V	15A	155 W	WITH		
9R45145	9445145	breaking	10 expanders	C	II	12V	5A	-			
9R45148	9445148	change-over	7 switches	C	II	12V	20/30A	-			
9R45150	9445150	closing	2 switches	B	I	24V	20A	480 W			
9R45151	9445151	closing	2 switches	B	II	24V	20A	480 W	WITH		
9R45154	9445154	closing	3 switches	B	II	24V	20A	480 W			
9R45155	9445155	closing	8 switches	B	II	24V	20A	-			
9R45156	9445156	closing	3 switches	B	I	24V	10A	250 W	W/O		WITH
9R45157	9445157	closing	3 switches	B	II	24V	25(40) A	-			
9R45158	9445158	closing	8 switches	B	II	24V	25(40) A	-			
9R45159	9445159	closing	8 switches	B	II	24V	25A	-	WITH	YES	W/O
9R45164	9445164	change-over	4 switches	C	II	6V	20/30 A	-			
9R45165	9445165	closing	2 switches	B	II	6V	30A	-			
9R45170	9445170	change-over	4 switches	C	I	6V	20/30 A	-	W/O		
9R45171	9445171	expansion	5 expanders	D	II	6V	15A	155 W	WITH		
9R45180	9445180	change-over	4 switches	C	I	24V	10/20A	155/325 W	W/O		
9R45181	9445181	change-over	4 switches	C	II	24V	10/20A	155/325 W	WITH		
9R45182	9445182	change-over	7 switches	C	I	24V	10/20A	155/325 W			
9R45183	9445183	change-over	7 switches	C	II	24V	10/20A	155/325 W	WITH		WITH
9R45184	9445184	expansion	5 expanders	D	II	24V	10A	-	W/O		
9R45185	9445185	change-over	9 switches	C	II	24V	10/20A	-			

**SPD Kroměříž a.s.**  
Kaplanova 1852/1e  
767 01 Kroměříž

IČO: 25571877  
DIČ: CZ25571877

Company is registered in the Commercial Register kept by the Regional Court in Brno, file no.B 3047.

## SPD Kroměříž, a.s.

9R45186	9445186	change-over	9 switches	C	I	24V	10/20A	-	W/O		
9R45187	9445187	closing	8 switches	B	I	24V	20A	-	W/O		
9R45192	9445192	closing	1 switch	A	I	12V	15A	-			
9R46040	9446040	change-over	4 switches	C	I	12V	30/40A				
9R46510	9446510	change-over	4 switches	C	I	24V	30/40A	-	W/O		
9R46520	9446520	change-over	11 switches	C	I	24V	30/40A	-	W/O		

W/O= WITHOUT

---

**SPD Kroměříž a.s.**  
Kaplanova 1852/1e  
767 01 Kroměříž

IČO: 25571877  
DIČ: CZ25571877

Company is registered in the Commercial Register kept by the Regional Court in Brno, file no.B 3047.